

License plate lights LED

Two Designs - 12/24V



The new license plate light from Ermax is available in two versions: The license plate lamps are certified for license plates mounted horizontally and also mounted at the side of the license plate.

Both versions with the newest LED technology for long life-time and powerful light.

- Clear, white lighting by means of two LED diodes in the linse
- Newest LED technology for long life-time
- In both variants, the LEDs are placed high to achieve greater angles of incidence
- Multiple-Choice connections (Super-Seal, Click-in or Open-End)
- Fast, flexible mounting and very service-friendly
- ADR and EMC R10 approval



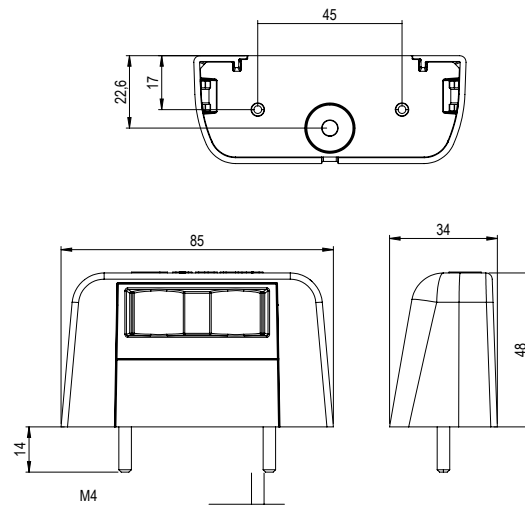
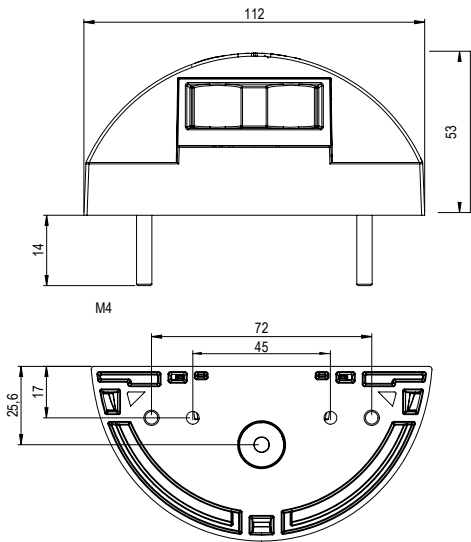
Technical specifications and features - see next page



Pos 1



Pos 2



Measurements - half-round design: 112 x 57 x 53 mm
 Measurements - square design: 85 x 34 x 48 mm



Functions and features

Voltage	IP Rating	Connection	Cable length	Bolt distance	Number of LED	Conductor cross section	Pos.	Article No.
12/24V	IP69	Click-in	500 mm	45 / 72 mm	2	1,5 mm ²	1	098 254 330 92.0000.6550
12/24V	IP69	Click-in	500 mm	45 mm	2	1,5 mm ²	2	098 254 340 92.0000.6554
12/24V	IP69	Click-in	1500 mm	45 / 72 mm	2	1,5 mm ²	1	098 254 332 92.0000.6551
12/24V	IP69	Click-in	1500 mm	45 mm	2	1,5 mm ²	2	098 254 342 92.0000.6555
12/24V	IP69	Super Seal	500 mm	45 / 72 mm	2	1,5 mm ²	1	098 254 334 92.0000.6552
12/24V	IP69	Super Seal	500 mm	45 mm	2	1,5 mm ²	2	098 254 344 92.0000.6556
12/24V	IP69	Open end	2500 mm	45 / 72 mm	2	1,5 mm ²	1	098 254 336 92.0000.6553
12/24V	IP69	Open end	2500 mm	45 mm	2	1,5 mm ²	2	098 254 346 92.0000.6557