

# PRODUCT INFORMATION

June 2017

## LED Outer end marker lights NOW IN STOCK !

**ERMAX®**



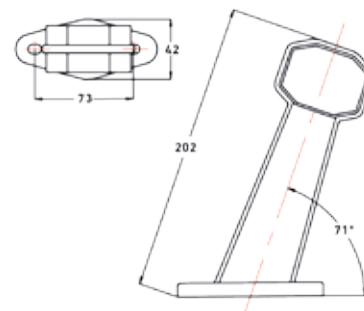
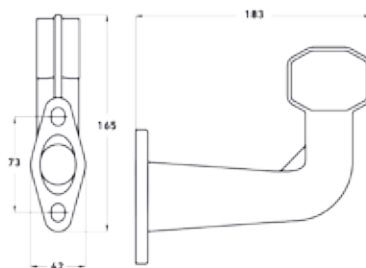
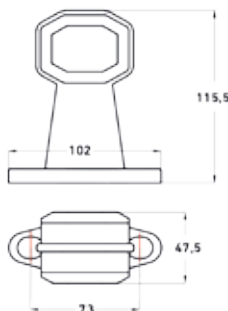
Pos. 1



Pos. 2



Pos. 3



Material - Black rubber  
Variable mounting hole distance: 68 -75 mm

(E)

### Functions

Light source	Voltage	Connection	Cable length	Light colour	Dimension	Left ← Right →	Pos.	Article No.
LED	24V	Click-in	500 mm	red / white	H 115 mm	← →	1	<b>098 241 267</b>
LED	24V	Click-in	500 mm	red / white	183 x 165 x 47,5 mm	←	2	<b>098 241 261</b>
LED	24V	Click-in	500 mm	red / white	183 x 165 x 47,5 mm	→	2	<b>098 241 262</b>
LED	24V	Click-in	500 mm	red / white	H 202 x 47,5	←	3	<b>098 241 264</b>
LED	24V	Click-in	500 mm	red / white	H 202 x 47,5	→	3	<b>098 241 265</b>